

# RG..R-ECblue

for single phase alternating current, 200-277 V

RG25R-ZIK

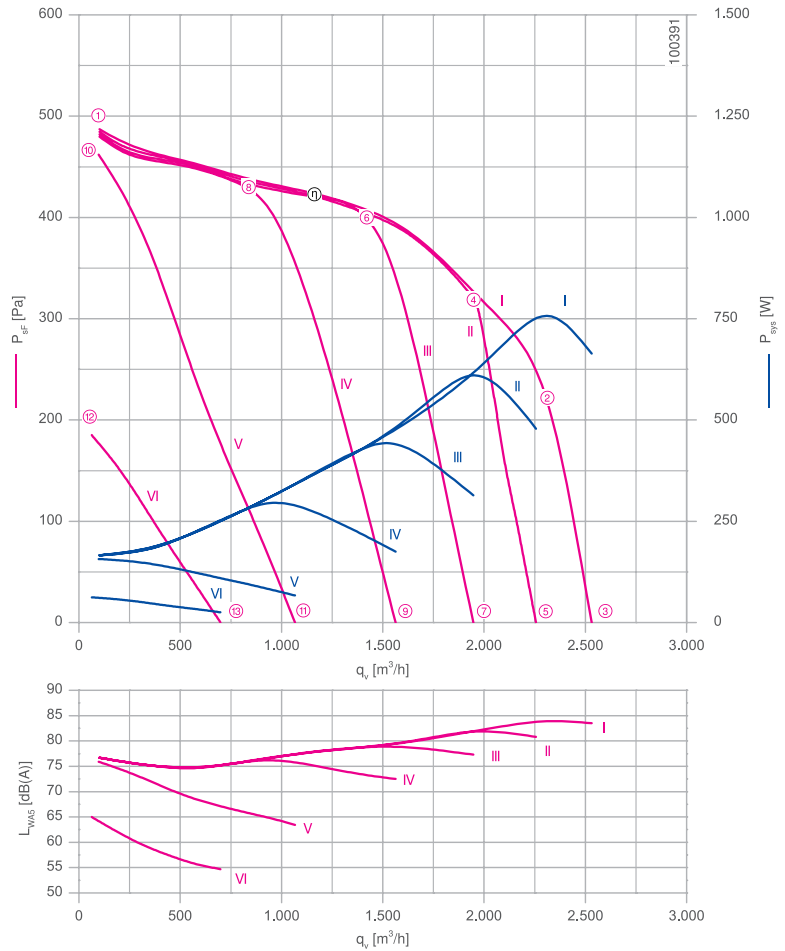


## Description

Motor technology: EC  
 Rated voltage U: 1-200-277 V\*  
 Rated frequency f: 50/60 Hz\*  
 Motor input power P: 0.78 kW\*  
 Rated current I: 3.90-2.80 A\*  
 Rated speed n: 1550 min<sup>-1</sup>\*  
 Thermal class: THCL155\*  
 Min. permitted ambient temperature t<sub>r</sub>: -20 °C  
 Max. permitted ambient temperature t<sub>r</sub> at n<sub>max</sub>: 60 °C  
 Electrical connection: integrated Controller  
 Number of blades : 38  
 Balancing quality: G 6.3  
 Protection class: IP54  
 Motor protection: Integrated active temperature management  
 Impeller : Galvanised sheet metal, uncoated  
 Conformity: ErP 2015, CE

**ErP-data**  
 Efficiency η<sub>statA</sub>: 42.5 %  
 Efficiency: N<sub>actual</sub> = 51.6 / N<sub>target</sub> = 44\*\*  
 EC controller integrated  
 \*Rated data  
 \*\*ErP 2015

## Characteristic curve

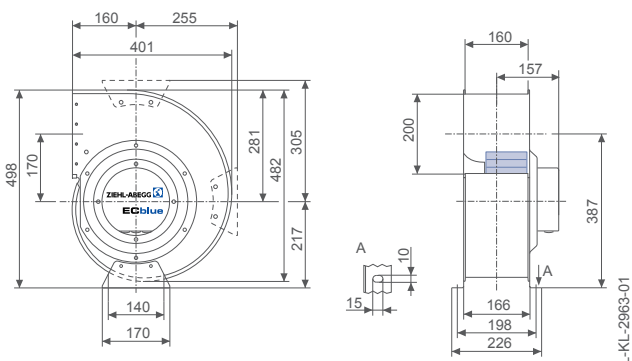


Measured with inlet ring, without guard grille according to ISO 5801

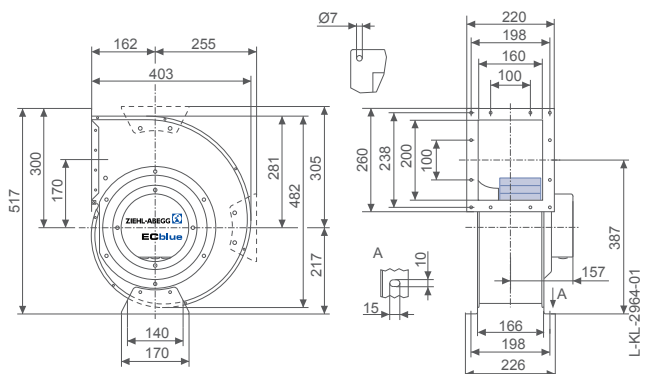
- Inlet ring 00411503 Page 264
- Connection diagram 1360-401 Page 366
- System components Page 262

## Dimensions [mm]

Fan with housing, single inlet, without flange



Fan with housing, single inlet, with flange






Performance data



| Type            | Characteristic curve | Speed                     | Speed | Operating point | Current | Motor input power | Suction side sound power level |
|-----------------|----------------------|---------------------------|-------|-----------------|---------|-------------------|--------------------------------|
|                 |                      | n<br>[min <sup>-1</sup> ] | %     |                 |         |                   | L <sub>WAS</sub><br>[dB]       |
| RG25R-ZIK.DC.4R | I                    | 1550                      | 100   | ①               | 0.76    | 170               | 77                             |
|                 |                      | 1550                      |       | ②               | 3.40    | 780               | 84                             |
|                 |                      | 1300                      |       | ③               | 2.90    | 660               | 84                             |
|                 | II                   | 1550                      | 80    | ④               | 2.70    | 620               | 82                             |
|                 |                      | 1160                      |       | ⑤               | 2.10    | 480               | 81                             |
|                 | III                  | 1550                      | 100   | ⑥               | 2.00    | 460               | 79                             |
|                 |                      | 1020                      |       | ⑦               | 1.40    | 310               | 77                             |
|                 | IV                   | 1550                      | 100   | ⑧               | 1.35    | 310               | 77                             |
|                 |                      | 830                       |       | ⑨               | 0.80    | 180               | 73                             |
|                 | V                    | 1550                      | 100   | ⑩               | 0.72    | 160               | 76                             |
|                 |                      | 570                       |       | ⑪               | 0.37    | 65                | 63                             |
|                 | VI                   | 980                       | 60    | ⑫               | 0.52    | 60                | 65                             |
|                 |                      | 390                       |       | ⑬               | 0.36    | 26                | 55                             |

Current values determined at 230V

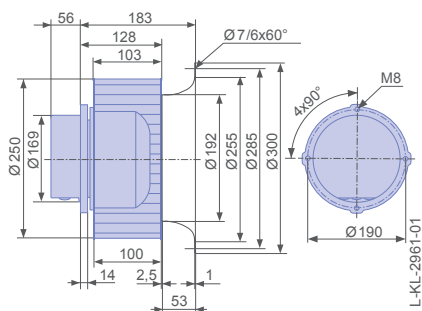
Fan ordering information

| Design                    | RG (without flange)   | RG (with flange)  | RE  |
|---------------------------|---|---|---|
| Installation position     | H   | H   | H/Vu/Vo   |
|                           |  |  |  |
| <b>Type</b>               | <b>RG25R-ZIK.DC.4R</b>  | <b>RG25R-ZIK.DC.4R</b>  | <b>RE25P-ZIK.DC.1R</b>  |
| <b>Article no.</b>        | <b>114791</b>   | <b>114792</b>   | <b>114783</b>   |
| Weight [kg]               | 15.00   | 16.00   | 8.40  |
| * Inlet ring not included |   |   |   |

Control technology

|   |   |   |
|---|---|---|
| Control module  | Operating terminal  | Expansion module  |
|  |  |  |
| ➤ Page 282  | ➤ Page 294  | ➤ Page 291  |

Motorised impeller



Used housing

